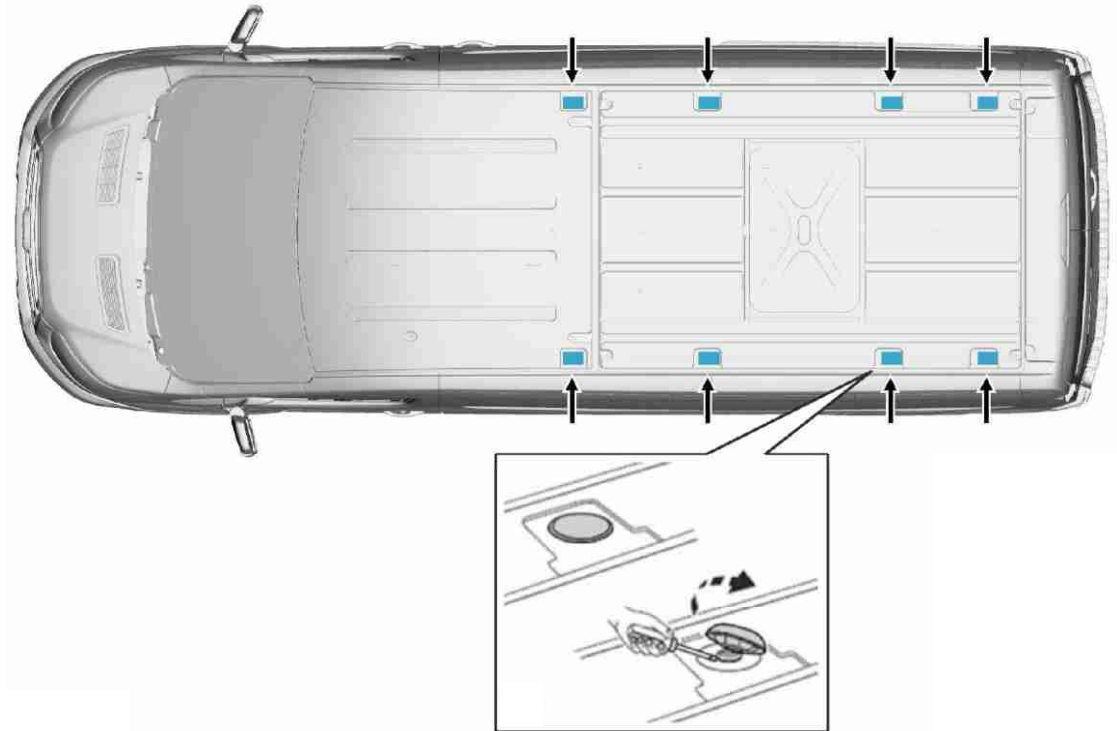
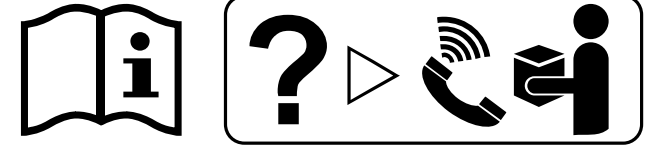
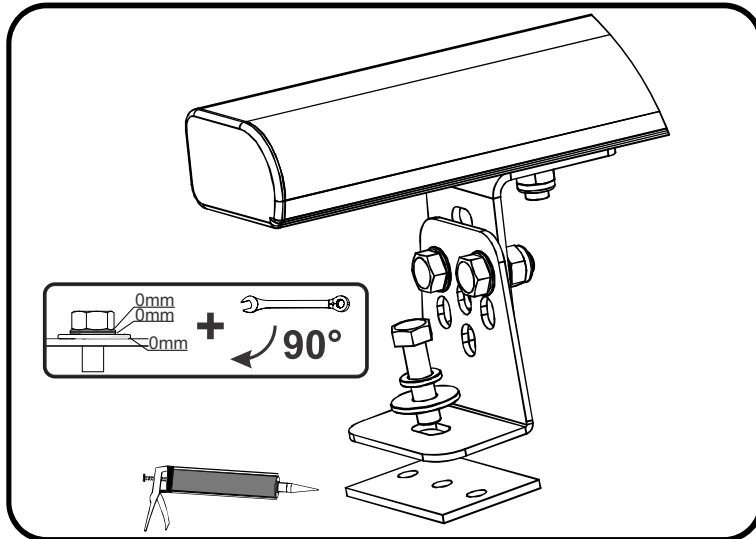
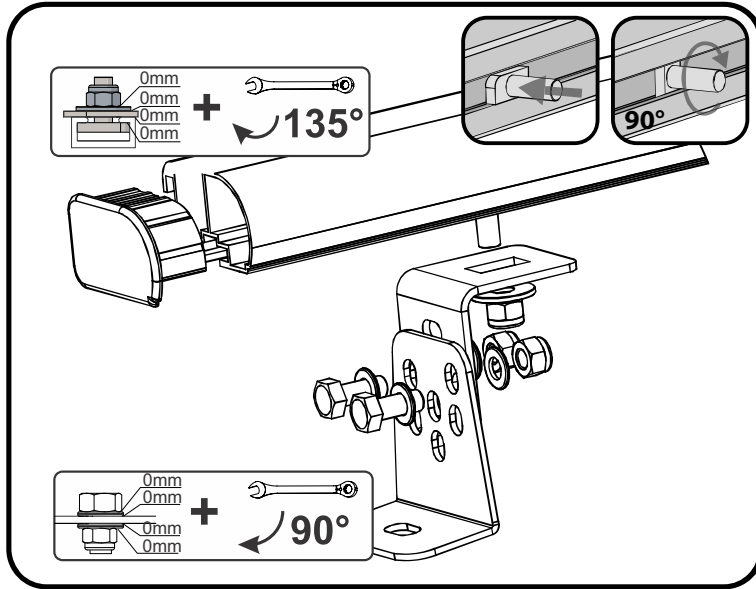


CODE CODE KODE CÓDIGO	LG1405	MODEL MODÈLE MODELL MODELO	520
--------------------------------	--------	-------------------------------------	-----

NEW FORD TRANSIT 2T

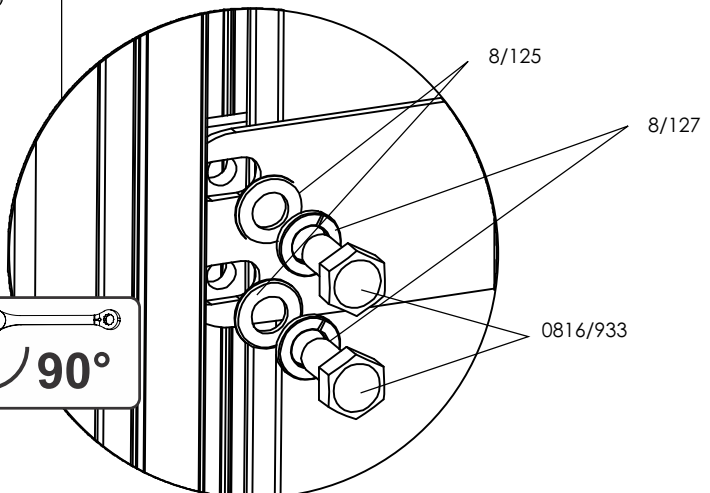
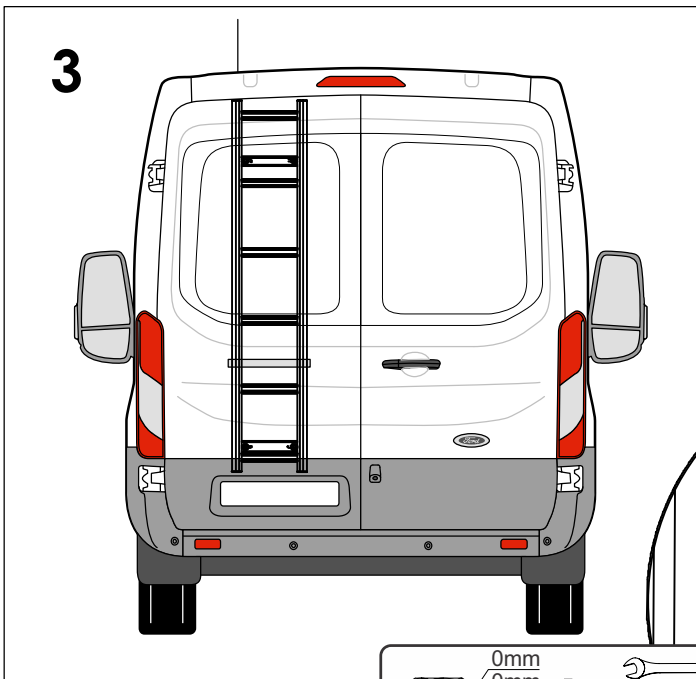
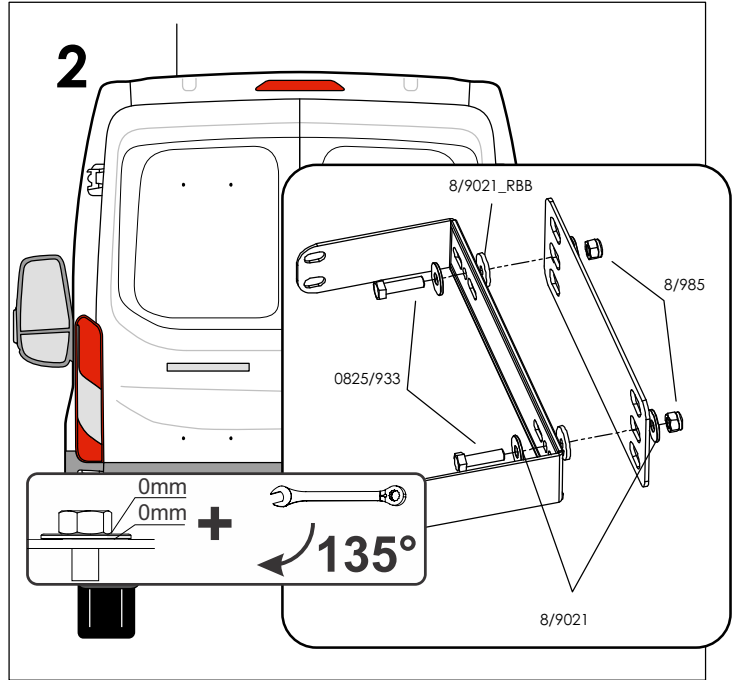
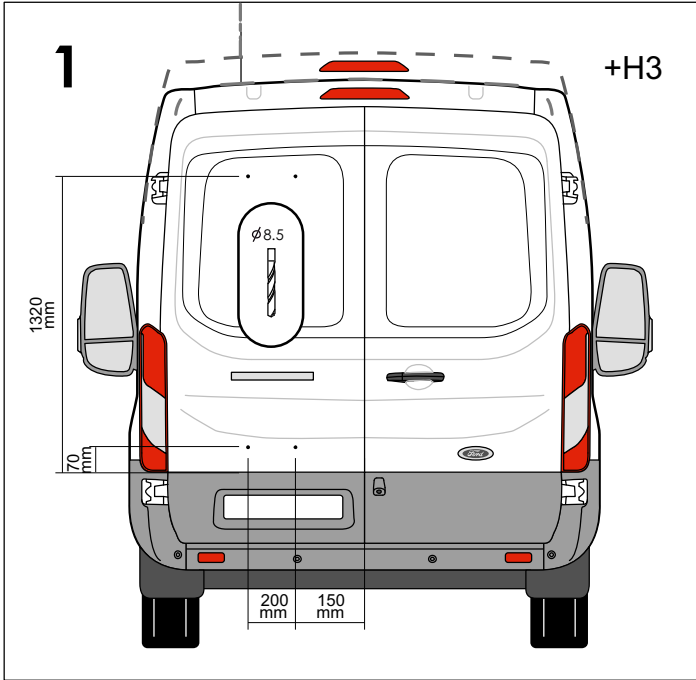


NO PART OR INFORMATION ABOUT THIS DRAWING MAY BE REPRODUCED IN ANY FORM WITHOUT PERMISSION IN WRITING. THIS DRAWING AND ITS CONTENT IS STRICTLY CONFIDENTIAL.

CODE CODE KODE CÓDIGO	LG149	MODEL MODÈLE MODELL MODELO	0520
--------------------------------	-------	-------------------------------------	------

FORD TRANSIT 2T H2 H3

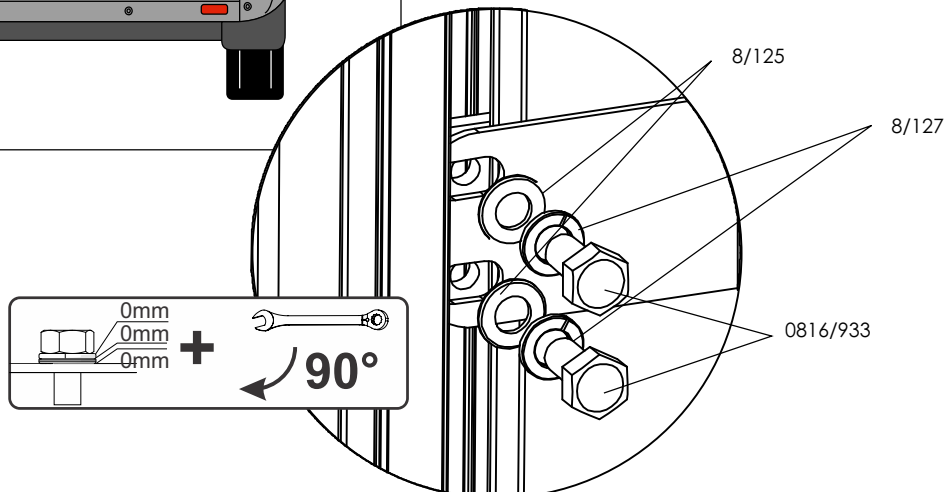
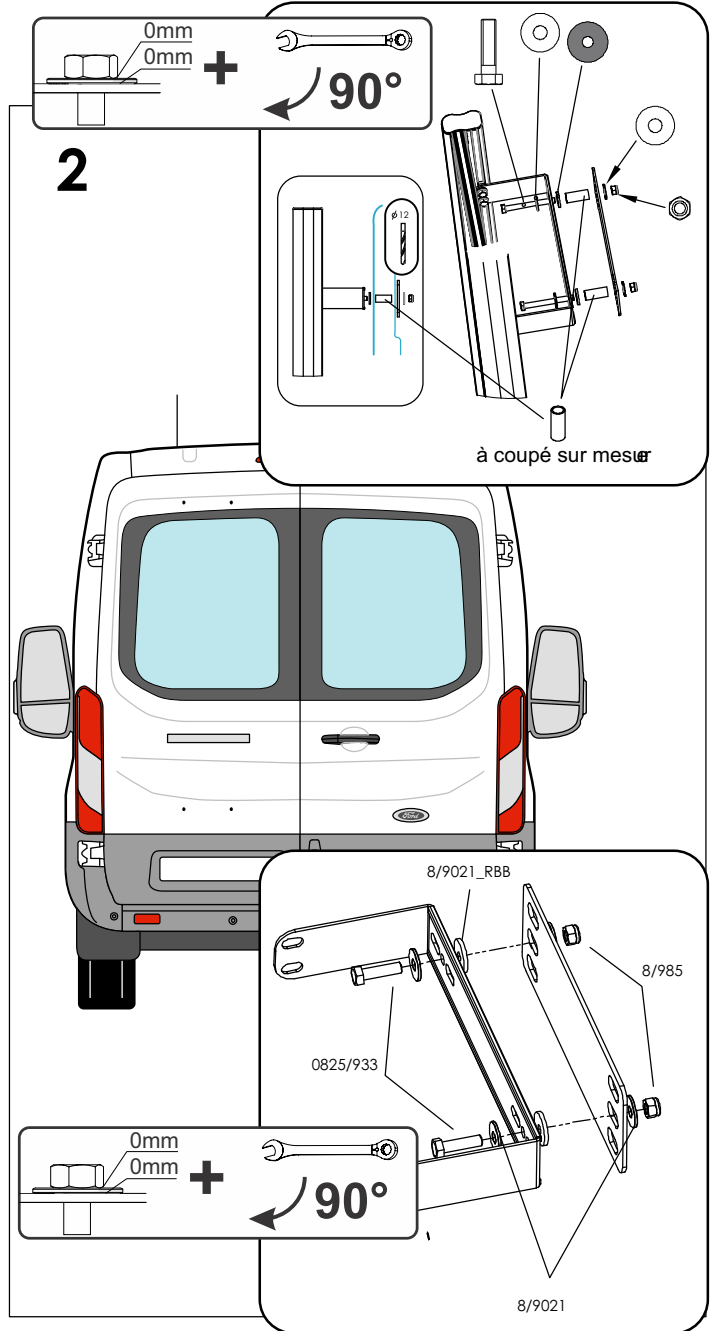
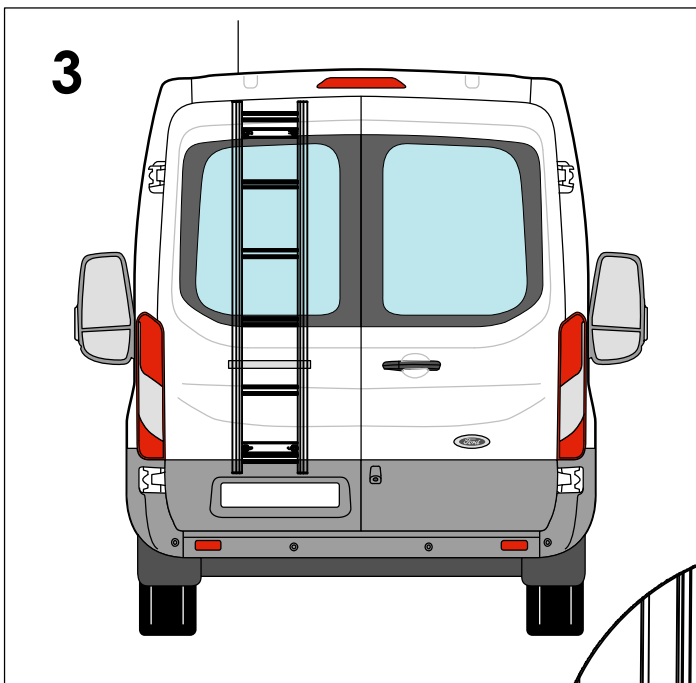
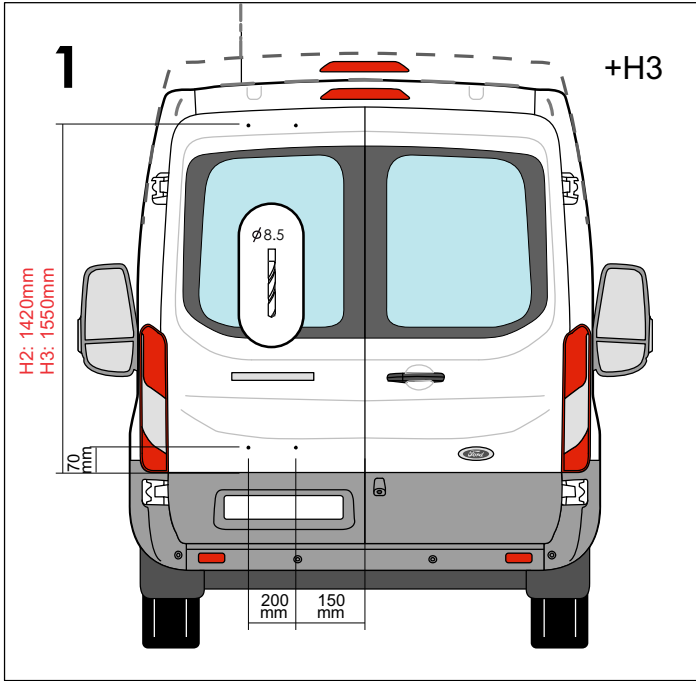
Assembly instructions: Read first!
 Montagehandleiding: Eerst lezen!
 Instruction de montage: Lire en premier!
 Montageanleitung: Zuerst lesen!
 Istruzioni di montaggio: Leggere per primo!



CODE CODE KODE CÓDIGO	LG149	MODEL MODÈLE MODELL MODELO	0520_W
--------------------------------	-------	-------------------------------------	--------

FORD TRANSIT 2T H2 H3

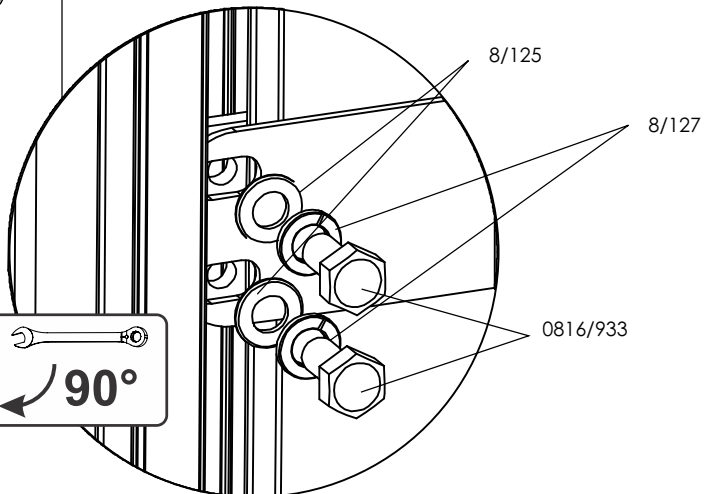
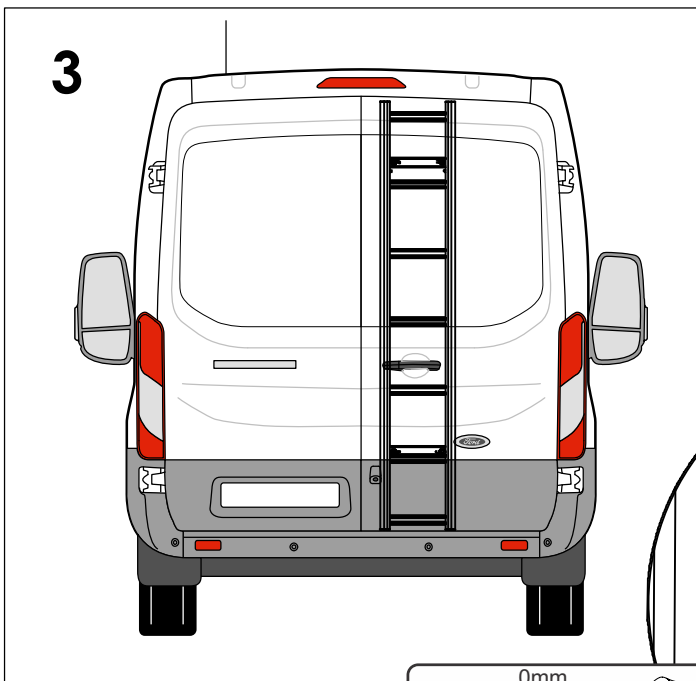
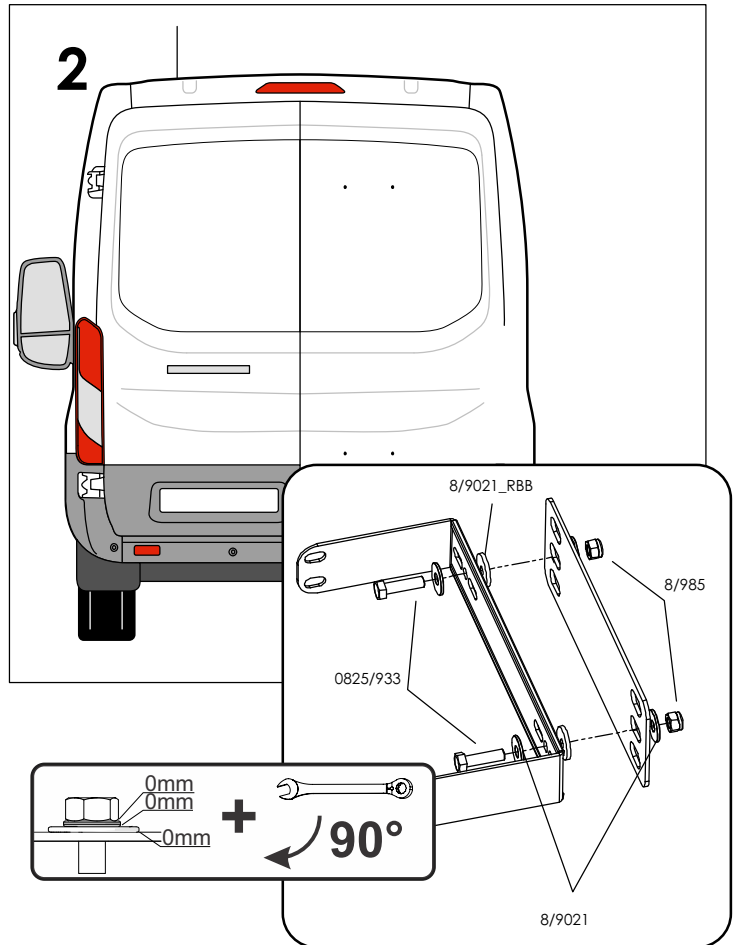
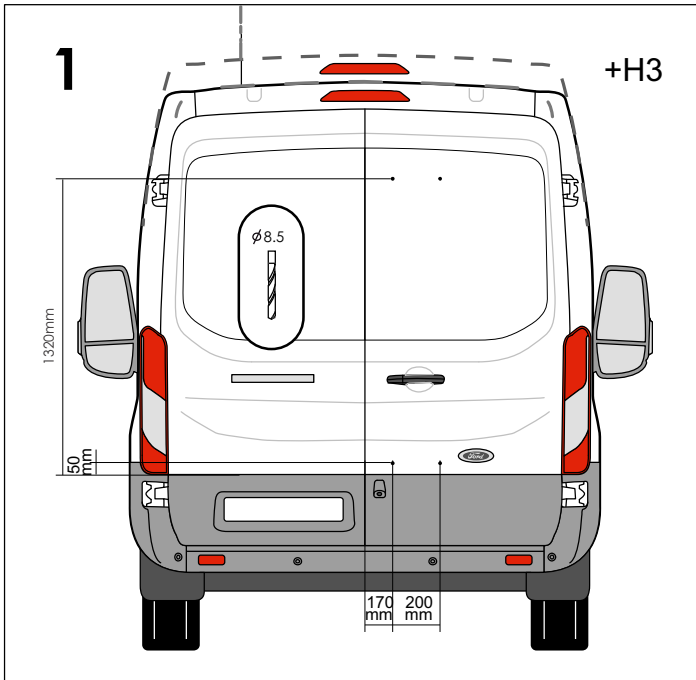
Assembly instructions: Read first!
 Montagehandleiding: Eerst lezen!
 Instruction de montage: Lire en premier!
 Montageanleitung: Zuerst lesen!
 Istruzioni di montaggio: Leggere per primo!



CODE CODE KODE CÓDIGO	LG149	MODEL MODÈLE MODELL MODELO	0520_R
--------------------------------	-------	-------------------------------------	--------

FORD TRANSIT 2T H2 H3

Assembly instructions: Read first!
 Montagehandleiding: Eerst lezen!
 Instruction de montage: Lire en premier!
 Montageanleitung: Zuerst lesen!
 Istruzioni di montaggio: Leggere per primo!



CODE CODE KODE CÓDIGO	LG149	MODEL MODÈLE MODELL MODELO	0520_R_W
--------------------------------	-------	-------------------------------------	----------

FORD TRANSIT 2T H2 H3

Assembly instructions: Read first!
 Montagehandleiding: Eerst lezen!
 Instruction de montage: Lire en premier!
 Montageanleitung: Zuerst lesen!
 Istruzioni di montaggio: Leggere per primo!

